

SMD 4 PAD TYPE CRYSTAL UNITS



• 49SX Series



The 49SX series is miniature AT or BT cut strip crystal housed in low profile package for surface mount. It is of 4 pad footprint fit Epson 406 and 506 type and it can be easily used in SMT production.

FEATURES

- Low Profile
- Excellent Aging
- Wide Frequency Range
- 4 pad fit Epson 406&506 footprint
- Surface Mount

Electrical Specifications

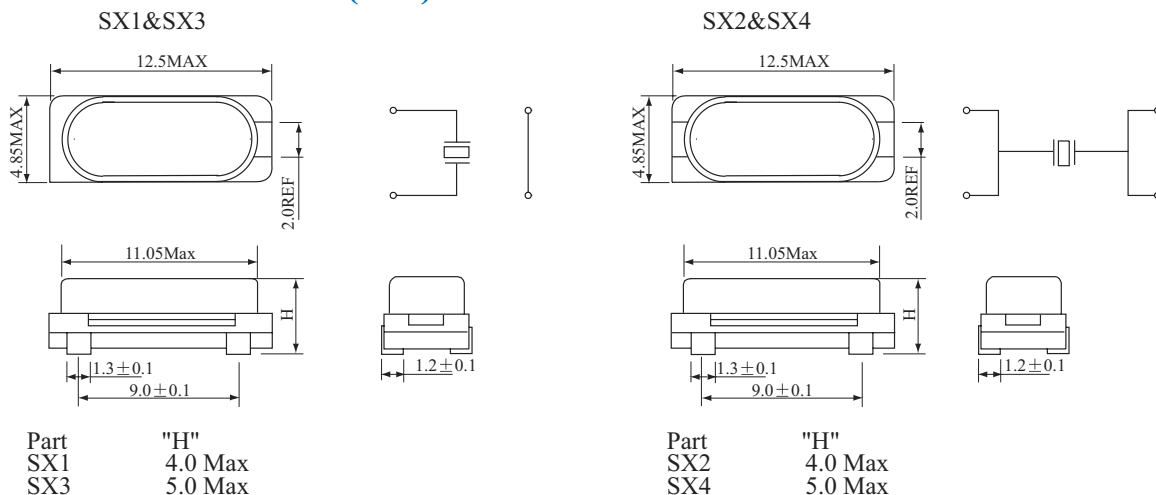
Parameter	Symb	Condition	Min	Typ	Max	Units
Frequency Range	F ₀	49S×3/4	3.200		66.000	MHz
		49S×1/2	8.000		66.000	MHz
Frequency Tolerance	ΔF/ F ₀	AT 25°C	±10	±30	±50	ppm
Temperature Stability	TC	REF TO 25°C	±10	±30	±50	ppm
Operating Temperature Range	T _{OPR}		-20*		+70*	°C
Storage Temperature Range	T _{STG}		-40		+85	°C
Shunt Capacitance	C ₀				7	pF
Load Capacitance	CL	Customer Specified	10		Series	pF
Insulator Resistance	IR	100V _{DC}	500			MΩ
Drive Level	DL			100	500	μW
Aging	F _a	AT 25°C, per year	-5.0		+5.0	ppm

*Operating temperature range: BT cut can only do 0°C to 50°C

Equivalent Series Resistance(ESR) and Mode of Vibration(Mode)

Frequency Range(Mhz)	Max ESR(Ω)	Mode	Frequency Range(Mhz)	Max ESR(Ω)	Mode
3.200 to 4.499	150	Fundamental/AT	9.000 to 9.999	60	Fundamental/AT
4.500 to 5.999	120	Fundamental/AT	10.000 to 12.999	50	Fundamental/AT
6.000 to 6.999	100	Fundamental/AT	13.000 to 30.000	40	Fundamental/AT
7.000 to 7.999	90	Fundamental/AT	30.000 to 66.000	80	3 rd Overtone
8.000 to 8.999	80	Fundamental/AT	27.000 to 40.000	40	Fundamental/BT

Mechanical Dimensions(mm)



TAIWAN:
HOSONIC ELECTRONIC CO., LTD.
23-1 LANE 84. CHUN YING ST. SHULIN CHEN.
TAIPEI 23804. TAIWAN. R.O.C.

☎: 886-2-86875200
☎: 886-2-26816456

WEB SITE:<http://www.hosonic.com.tw>

CHINA:
HANGZHOU HOSONIC ELECTRONIC CO., LTD.
XUNSHAN LIANGZHU TOWN MOGANSHAN ROAD
HANGZHOU, ZHEJIANG, CHINA

☎: (86)-571-88778189
☎: (86)-571-88778857

Specifications are subject to change without notice